

P	LTR	DESCRIPTION	DATE	DWN	APVD
	B1	REVISED PER ECO-11-005140	29MAR11	RK	HMR

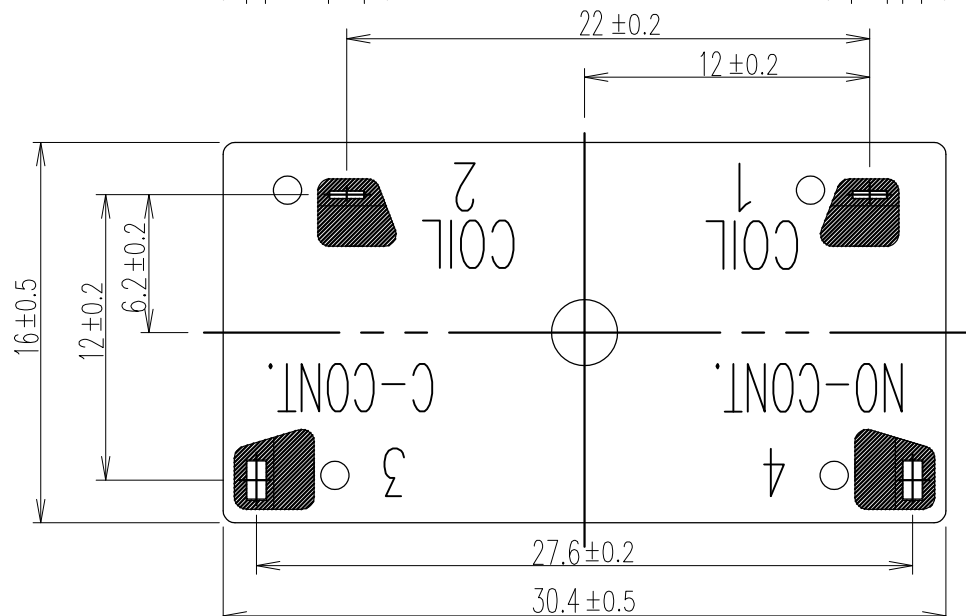
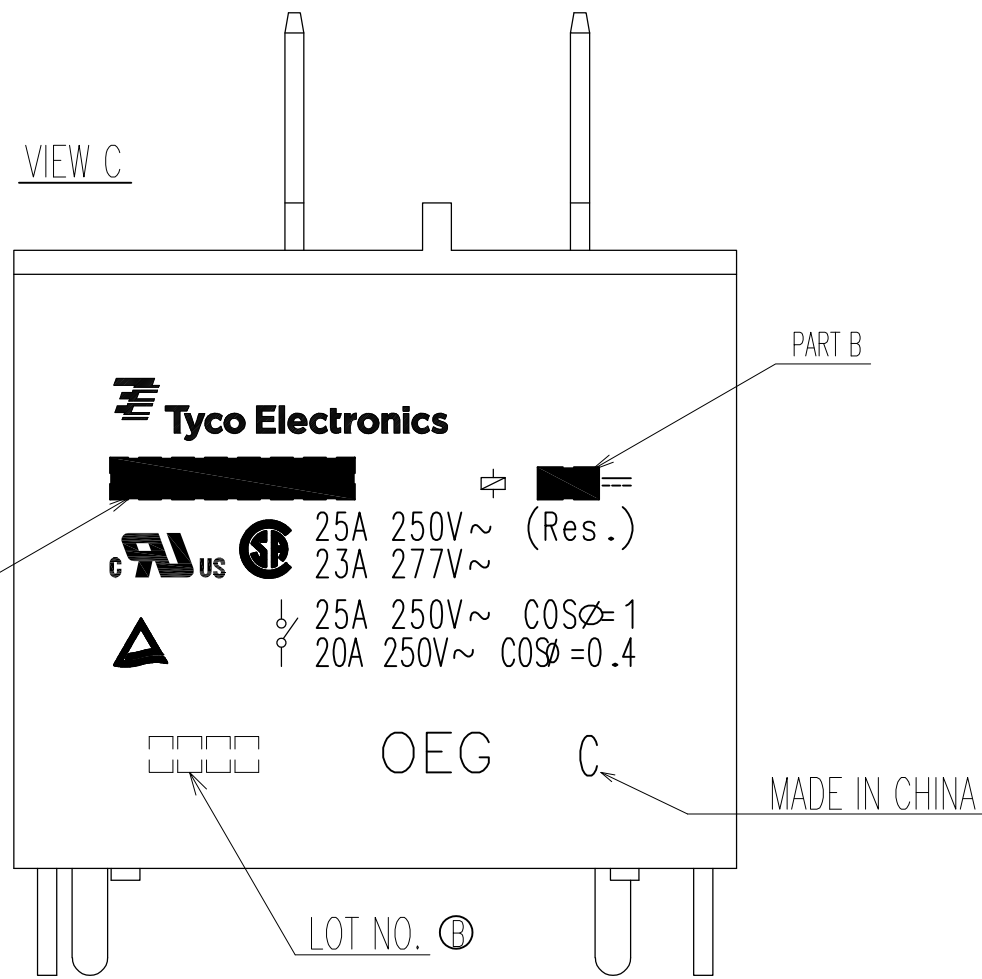
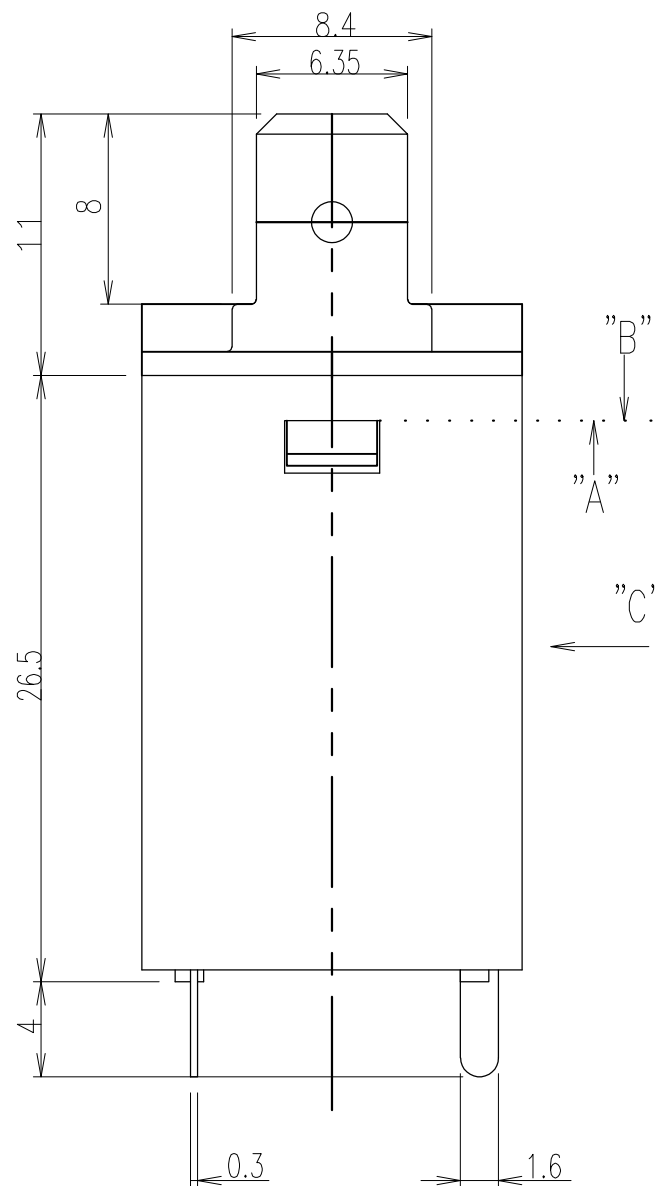
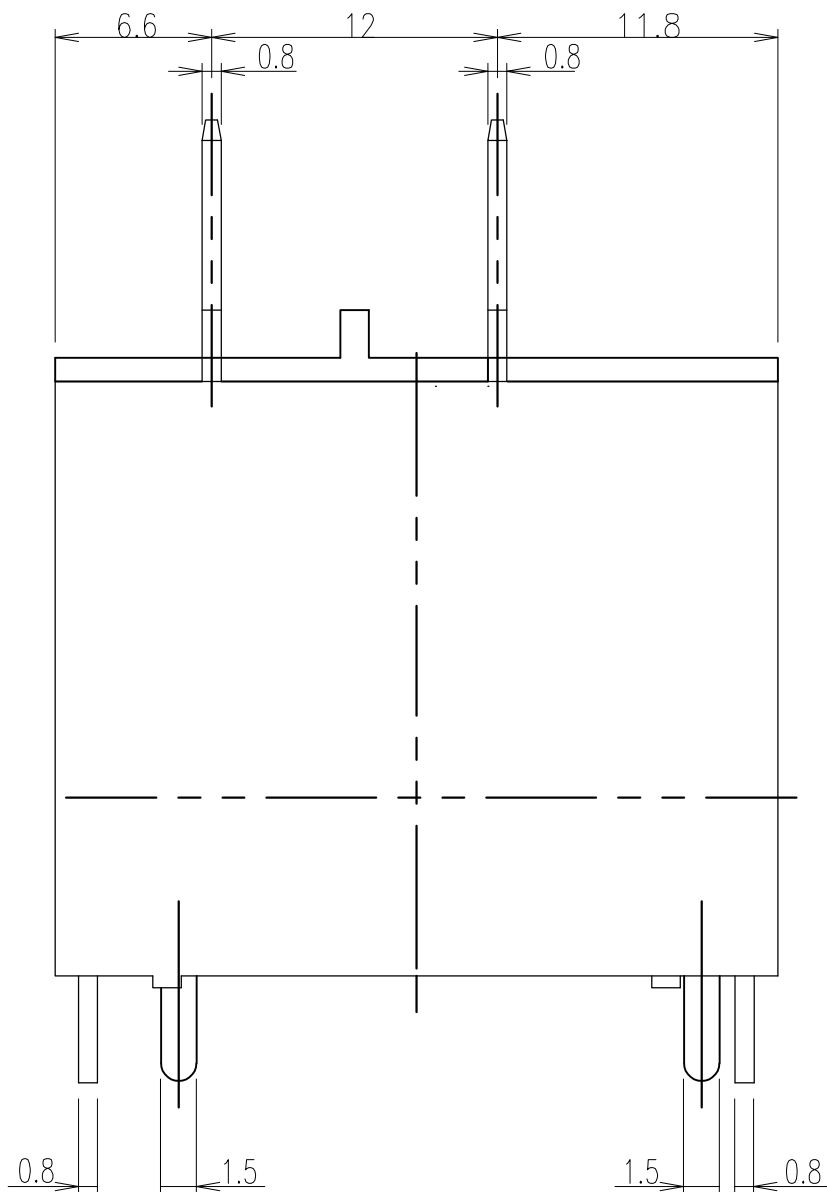


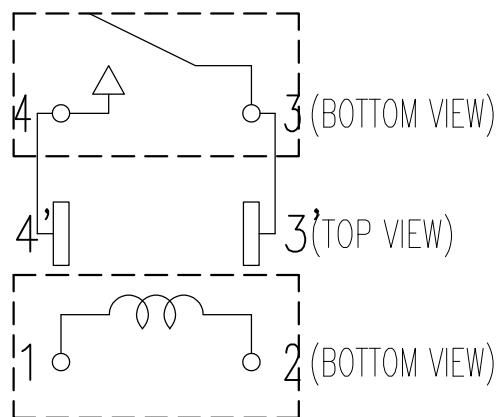
Diagram dimension	Tolerance
0.99mm max.	±0.1mm
1 - 2.99mm	±0.2mm
3mm min.	±0.3mm

Ⓑ NOTE:
LOT NO. SYSTEM AS FOLLOWING:

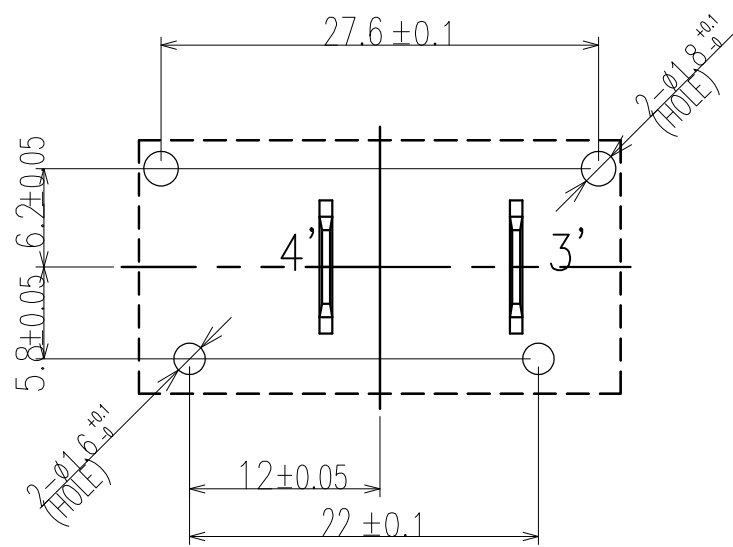
DIMENSIONS: mm	TOLERANCES UNLESS OTHERWISE SPECIFIED: 0 PLC ± 1 PLC ± 2 PLC ± 3 PLC ± 4 PLC ± ANGLES ±	DWN	H.SASAKI	TE Connectivity NAME PCF-D2M CUSTOMER DRAWING								
		CHK	N.FUNAYAMA									
	MATERIAL SEE MATERIAL TABLE	APVD	A.NAGAI		SIZE	A3	CAGE CODE	00779	DRAWING NO	5-1440002-4	RESTRICTED TO	-
		FINISH	-		WEIGHT	-	CUSTOMER DRAWING		SCALE	3:1	SHEET	1 OF 2

P	LTR	DESCRIPTION	ECN	DATE	DWN	APVD

CONNECTION DIAGRAM



DRILLING DIAGRAM (BOTTOM VIEW)



PART NO	DESCRIPTION	PART B	PART A	ITEM
5-1440002-9	PCF-148D2M,000	48V	PCF-148D2M	f
5-1440002-8	PCF-124D2M,000	24V	PCF-124D2M	e
3-1419153-4	PCF-112D2M,000	12V	PCF-112D2M	d
5-1440002-6	PCF-109D2M,000	9V	PCF-109D2M	c
5-1440002-5	PCF-106D2M,000	6V	PCF-106D2M	b
5-1440002-4	PCF-105D2M,000	5V	PCF-105D2M	a

RELAY TYPE

INCOMBUSTIBILITY	TREATMENT	MATERIAL	DESCRIPTION	ITEM
		EPOXY RESIN	SEAL	17
		POLYURETHANE Cu WIRE	MAGNETIC WIRE	16
UL 94V-0		PPS	CARD	15
UL 94V-0		PBT	CASE	14
UL 94V-0		PBT	BASE	13
UL 94V-0		PBT	BOBBIN	12
	SOLDER DIP	Cu ALLOY	COIL TERMINAL R	11
	SOLDER DIP	Cu ALLOY	COIL TERMINAL L	10
		STAINLESS	HINGE SPRING	9
		Ag ALLOY	STATIONARY CONTACT	8
		Ag ALLOY	MOVABLE CONTACT	7
	SOLDER DIP	Cu ALLOY	MOVABLE SPRING	6
	SOLDER DIP	Cu ALLOY	STATIONARY TERMINAL	5
	SOLDER DIP	Cu ALLOY	MOVABLE TERMINAL	4
	Ni PLATED	STEEL	CORE	3
	Ni PLATED	STEEL	ARMATURE	2
	Ni PLATED	STEEL	YOKE	1

DIMENSIONS: mm 	TOLERANCES UNLESS OTHERWISE SPECIFIED: 0 PLC ± 1 PLC ± 2 PLC ± 3 PLC ± 4 PLC ± ANGLES ±	DWN	TE Connectivity NAME PCF-D2M CUSTOMER DRAWING
		CHK	
MATERIAL SEE MATERIAL TABLE	FINISH -	APVD	
		PRODUCT SPEC -	
		APPLICATION SPEC -	
		WEIGHT -	SIZE A3 CAGE CODE 00779 DRAWING NO. C- 5-1440002-4 RESTRICTED TO -
CUSTOMER DRAWING			SCALE 3:1 SHEET 2 OF 2 REV B1